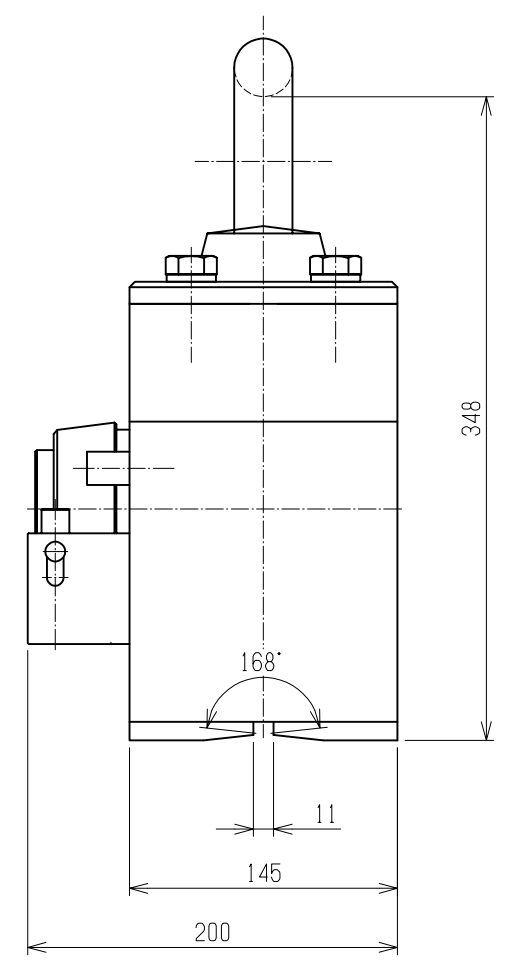
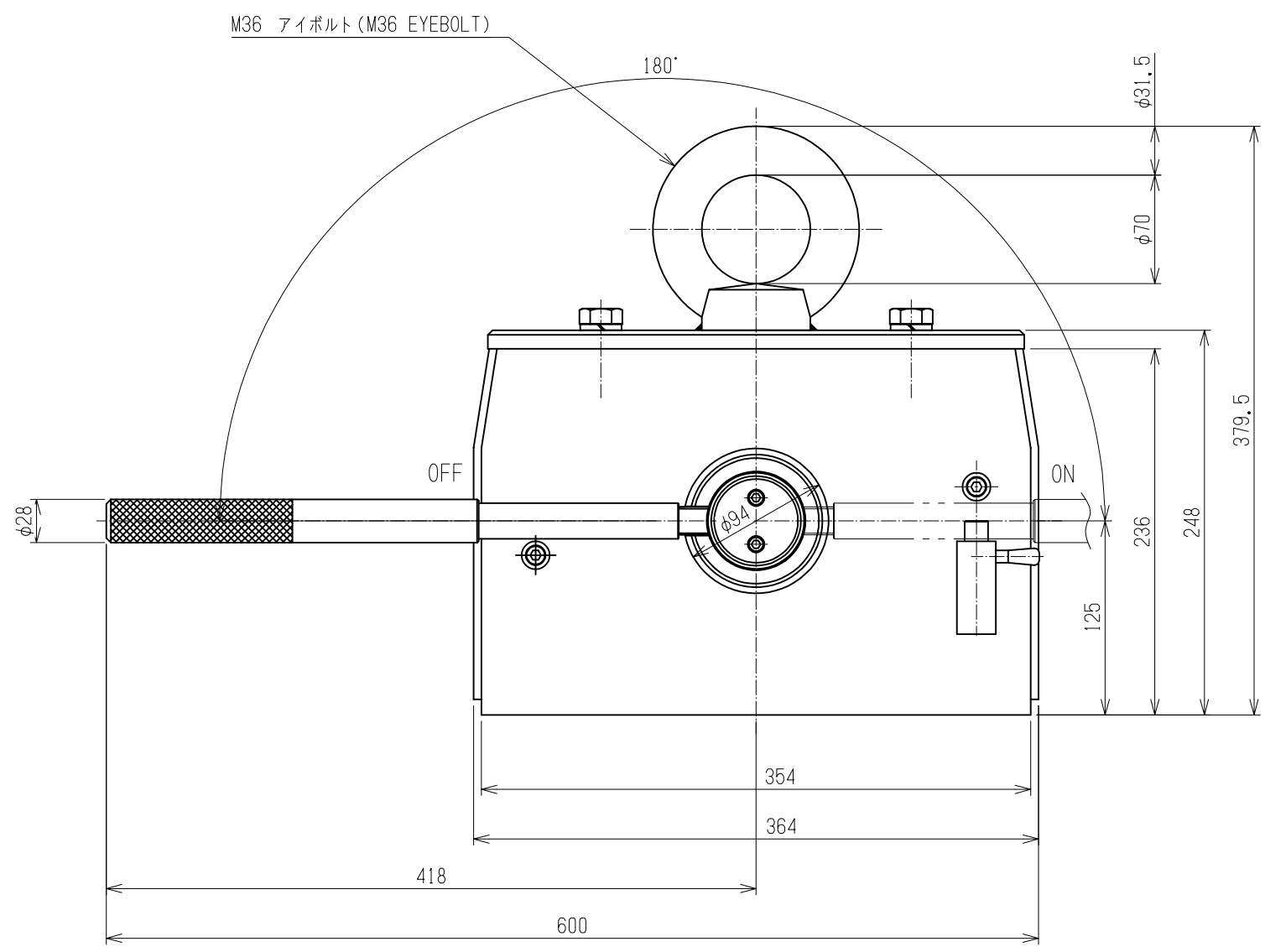


1 2 3 4 5 6 7 8 9



						APPROVED	CHECKED	DESIGNED	DRAWN
						H. Higuchi	T. Ozawa	M. Aruga	S. Iwabuchi
						2020.9.4	2020.9.4	2020.9.4	2020.9.4
REV.	QTY	CONTENTS			DATE	DRAWN	APPROVED	KITO	

Flat steel / round steel dual-purpose type 平鋼 / 丸鋼兼用タイプ		
Maximum working load 最大使用荷重 (kg)	Flat steel 平鋼	1600
	Round steel 丸鋼	1200 (φ460)
Weight 質量 (kg)	101	

TITLE Lifting Magnet キトースーパーマグ			
CODE	KRD160	SCALE	1:4
DWG. NO.	KRD160-11100Z	REV.	0