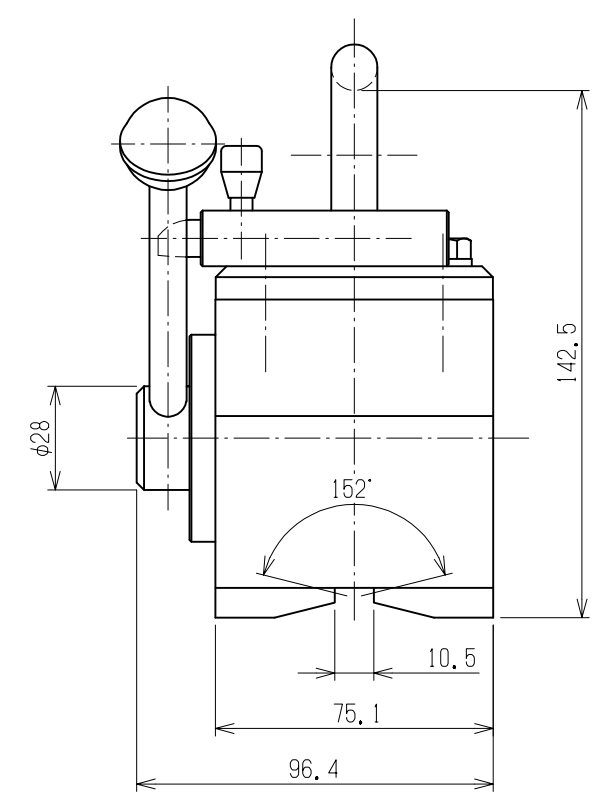
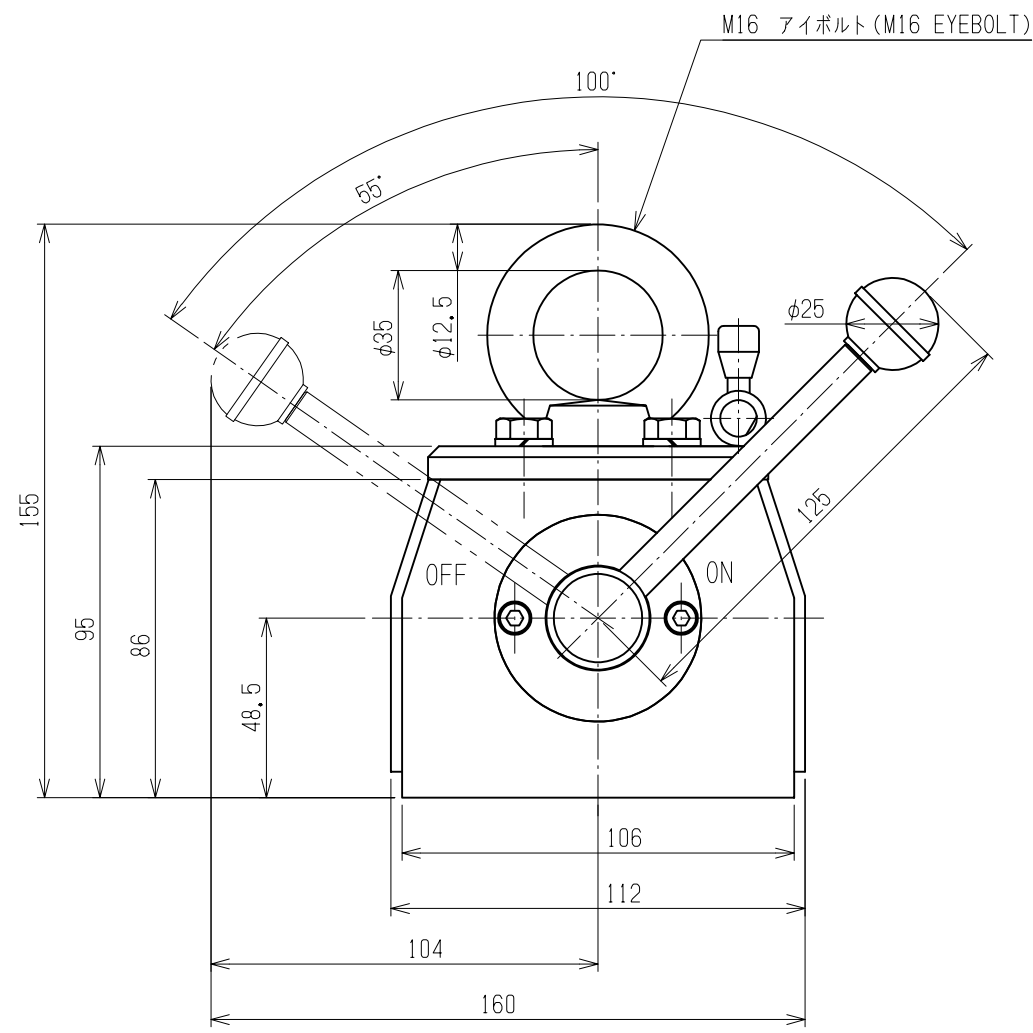


1 2 3 4 5 6 7 8 9

A
B
C
D
E
F



Flat steel / round steel dual-purpose type 平鋼 / 丸鋼兼用タイプ		
Maximum working load 最大使用荷重 (kg)	Flat steel 平鋼	80
	Round steel 丸鋼	60 (φ120)
Weight 質量 (kg)		6

					APPROVED	CHECKED	DESIGNED	DRAWN
					H. Higuchi	T. Ozawa	M. Aruga	S. Iwabuchi
					2020.9.4	2020.9.4	2020.9.4	2020.9.4
REV.	QTY	CONTENTS			DATE	DRAWN	APPROVED	

TITLE Lifting Magnet キトースーパーマグ			
CODE	KRD8	SCALE	1:2
DWG. NO.	KRD8-11100Z	REV.	0

