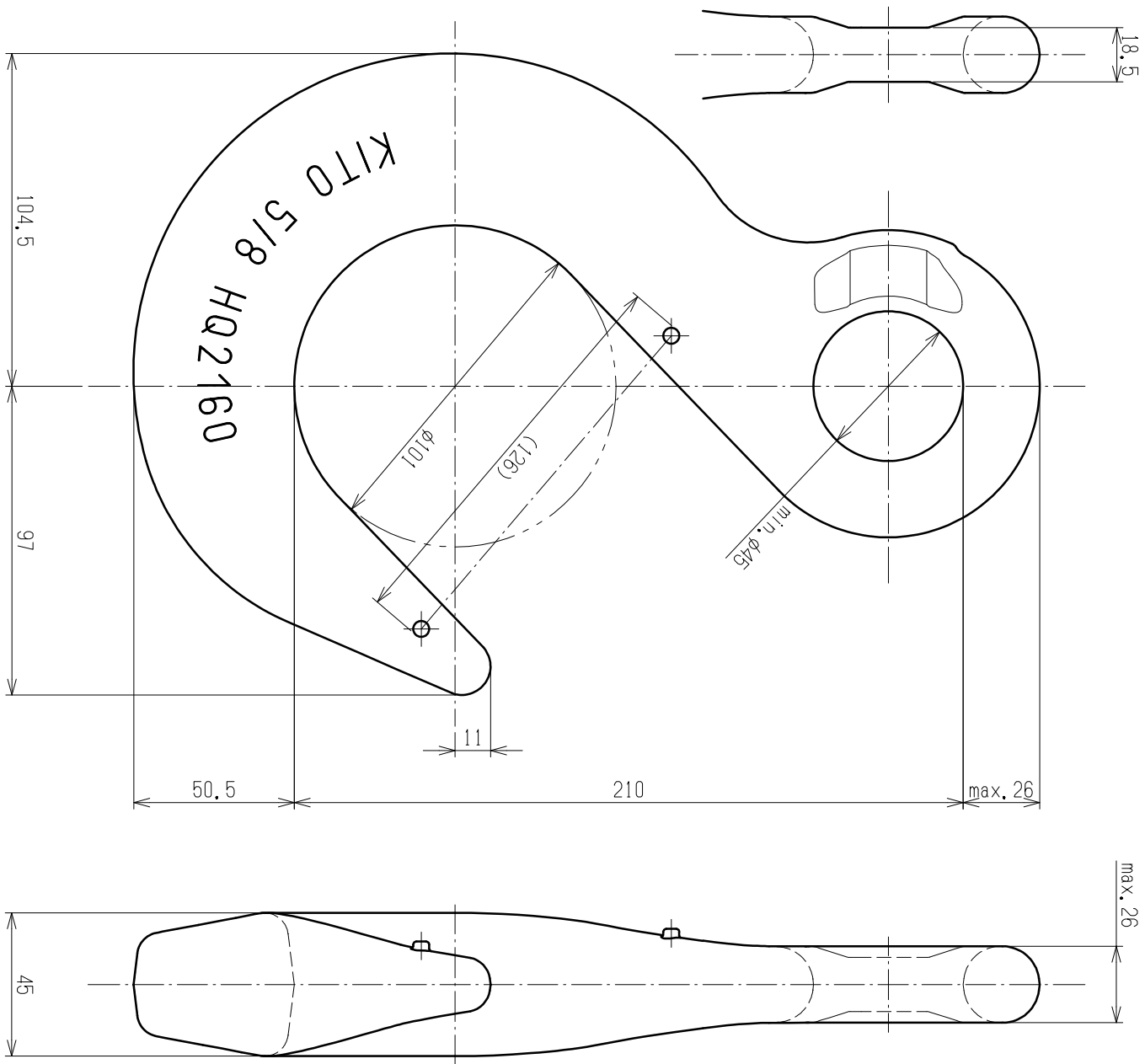


| REV. | QTY | CONTENTS | | DATE | DRAWN | APPROVED |
|------|-----|----------|--|------|-------|----------|
| | | | | | | |
| | | | | | | |
| | | | | | | |
| | | | | | | |
| | | | | | | |
| | | | | | | |
| | | | | | | |



| APPROVED | CHECKED | DESIGNED | DRAWN | TITLE | CODE | SCALE |
|-------------------------|------------------------|------------------------|------------------------|---------------------------------|--------|-------|
| I. Hatano 2013.05.17 | A. Naito 2013.05.17 | T. Ozawa 2013.05.17 | T. Ozawa 2013.05.17 | Foundry Eye Hook ファウンドリフックHQ | HQ2160 | 1:2 |
| | | | | DWG. NO. | REV. | |
| | | | | P3HQ160-91371Z | | 0 |

005M-19 Third angle projection UNIT : mm